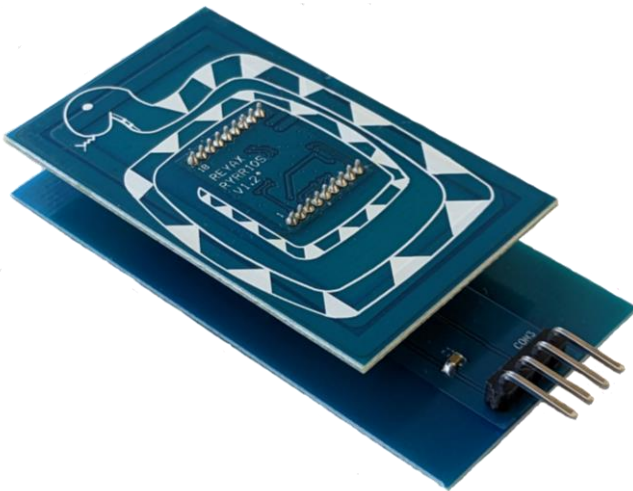


RYRR10S_Lite

RYRR10S_Lite UART Interface Evaluation Board

Datasheet



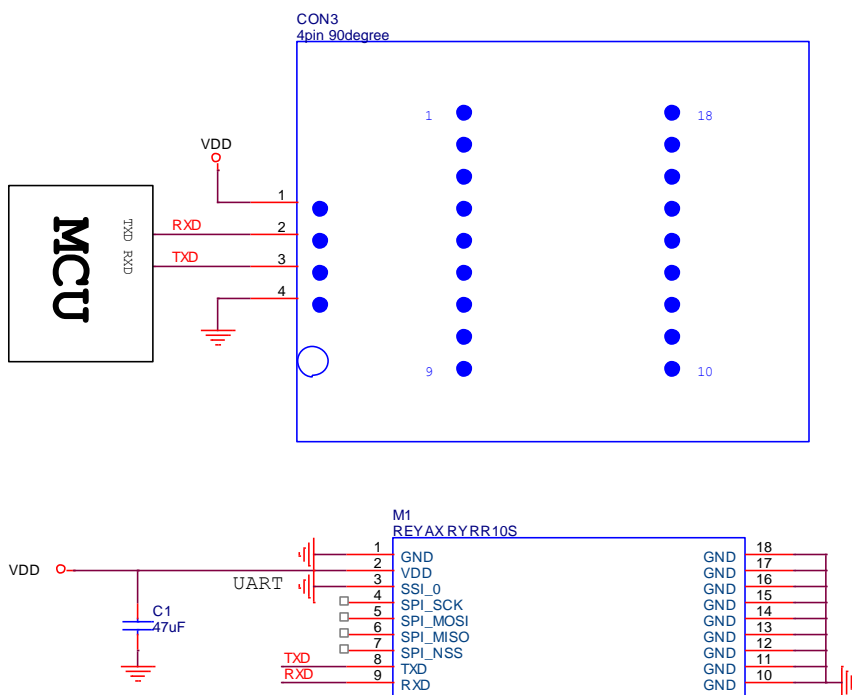
PRODUCT DESCRIPTION

The RYRR10S antenna module is a 13.56-MHz RFID and Near Field Communication (NFC) system. Built-in programming options make the device suitable for a wide range of applications for proximity and vicinity identification systems.

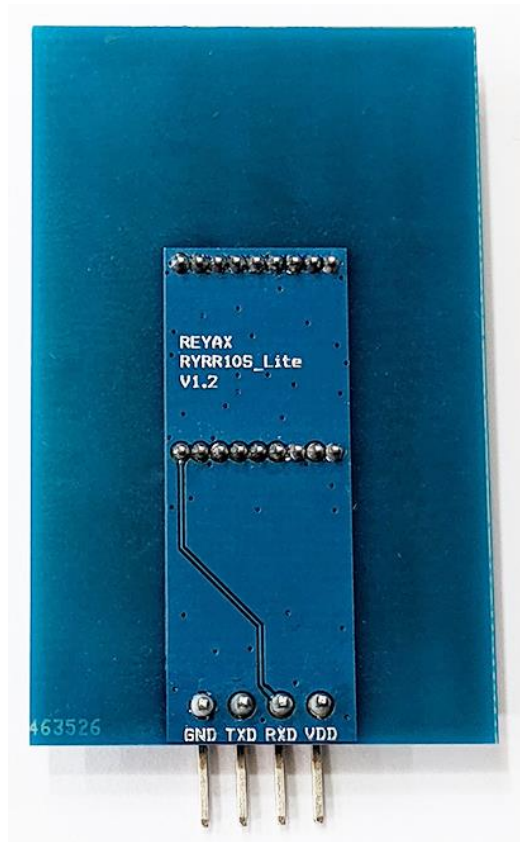
FEATURES

- ST CR95HF NFC/RFID Engine.
- Supports Near Field Communication (NFC) ISO/IEC 18092.
- Completely Integrated Protocol Handling for ISO/IEC 15693, ISO/IEC 14443A, ISO/IEC 14443B.
- NXP MIFARE® Classic compatible
- Designed with PCB integrated antenna.
- UART Interface.

SCHEMATIC



PIN DESCRIPTION



Pin	Name	I/O	Condition
1	VDD	P	Main power supply
2	RXD	I	UART Data Input
3	TXD	O	UART Data Output
4	GND	P	Ground