

# RYMPCON

## Mini PCIe card to USB2.0 Interface adapter

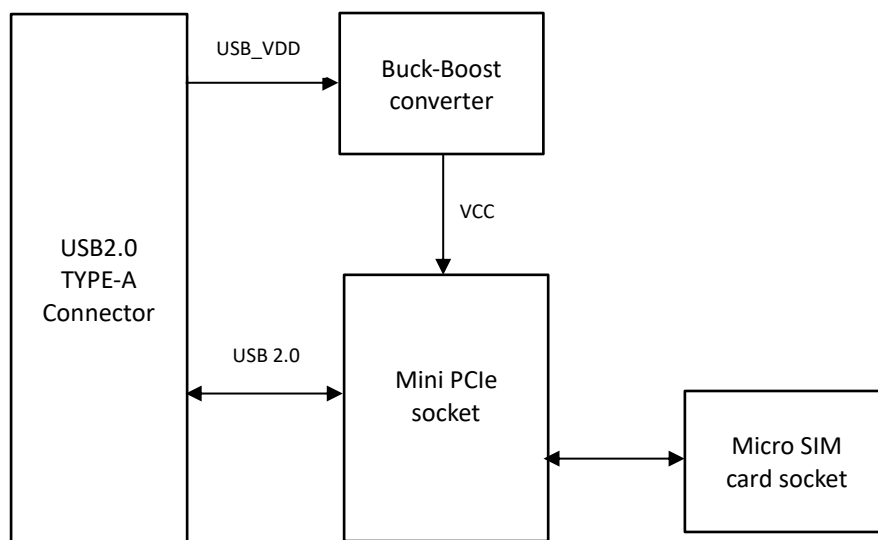
### Datasheet



## PRODUCT DESCRIPTION

REYAX's RYMPCON Mini PCIe card to USB2.0 Interface adapter The RYMPCON is designed for Operating System that converts Wi-Fi/3G/4G wireless 50.95mm\*30mm Mini PCIe card to USB 2.0 port. As push-pull micro SIM card socket is provided, you can insert the SIM card to connect to network.

## BLOCK DIAGRAM



## PIN DESCRIPTION

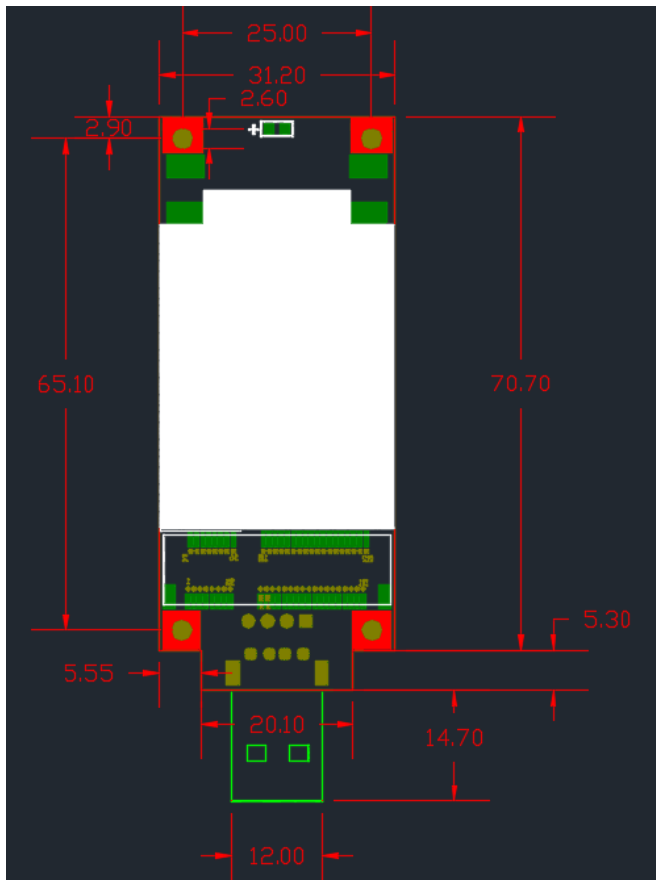
Pin	Name	Input/Output	Description
1	NC		Not connected
2	VCC	Power	Power Input
3	NC		Not connected
4	GND		Power Ground
5	NC		Not connected
6	NC		Not connected
7	NC		Not connected
8	SIM_VCC		External SIM signal – Power supply for the SIM
9	GND		Power Ground
10	SIM_IO	Input/Output	External SIM signal – Data I/O
11	NC		Not connected
12	SIM_CLK	Output	External SIM signal – Clock
13	NC		Not connected
14	SIM_RST	Output	External SIM signal – Reset
15	GND		Power Ground
16	NC		Not connected
17	NC		Not connected
18	GND		Power Ground
19	NC		Not connected
20	NC		Not connected
21	GND		Power Ground
22	NC		Not connected
23	NC		Not connected
24	VCC	Power	Power Input
25	NC		Not connected
26	GND		Power Ground
27	GND		Power Ground
28	NC		Not connected
29	GND		Power Ground
30	NC		Not connected
31	NC		Not connected
32	NC		Not connected
33	NC		Not connected
34	GND		Power Ground
35	GND		Power Ground
36	USB_DN	Input/Output	USB Data Negative
37	GND		Power Ground
38	USB_DP	Input/Output	USB Data Positive
39	VCC	Power	Power Input
40	GND		Power Ground
41	VCC	Power	Power Input
42	LED_WWAN	Output	Connect to LED Negative

43	GND		Power Ground
44	NC		Not connected
45	NC		Not connected
46	NC		Not connected
47	NC		Not connected
48	NC		Not connected
49	NC		Not connected
50	GND		Power Ground
51	NC		Not connected
52	VCC	Power	Power Input

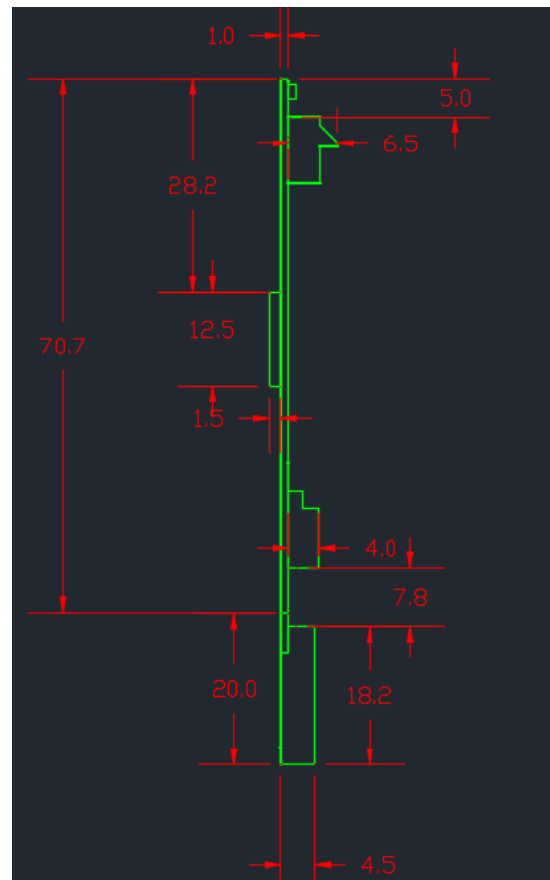
## SPECIFICATION

Item	Min.	Typ	Max.	Unit	Description
Operating Voltage Power Input	3	3.3	5.5	V	VDD_USB
Mini PCIe socket Power Voltage	3.2	3.3	3.4	V	VCC
USB Interface					V2.0
Operating Temperature	-40	25	+85	°C	
Weight		10		g	

## DIMENSIONS



Unit : mm



**REYAX**  
TECHNOLOGY CORPORATION, LTD

**Taiwan:** sales@reyax.com  
**China:** sales@reyax.com.cn  
<http://www.reyax.com>