

RYLR907

UART Interface
868/915 MHz LoRa®
Antenna Transceiver Module

Datasheet



產品介紹

RYLR907 收發模組的特點在於採用 LoRa® 長距離調製解調器，提供超長距離擴頻通信和高抗干擾性，並同時最大限度地降低其電流消耗。

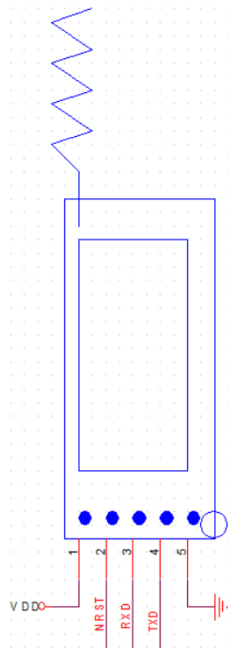
功能與特色

- Semtech SX1262 核心
- 優異的隔絕干擾抑制
- 低接收電流
- 頻道動作偵測省電 CAD 接收模式
- 高靈敏度
- 利用 AT Commands 控制，易於操作
- 內建天線
- AES128 資料加密

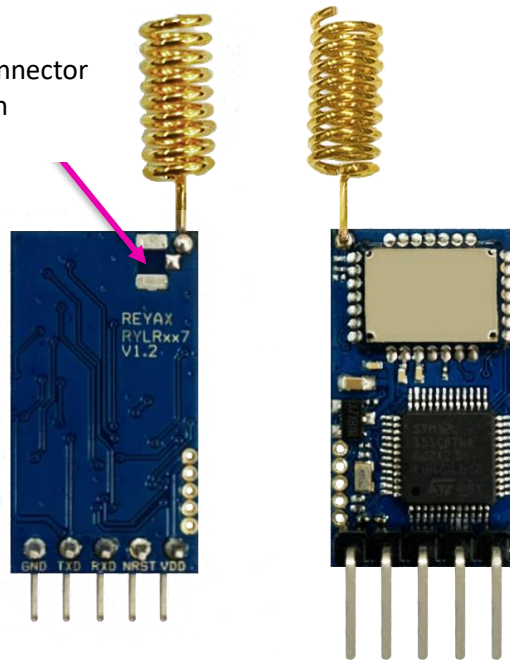
應用範圍

- 物聯網應用
- 移動設備
- 家庭保全
- 工業監控和控制設備
- 汽車警報

PIN DESCRIPTION

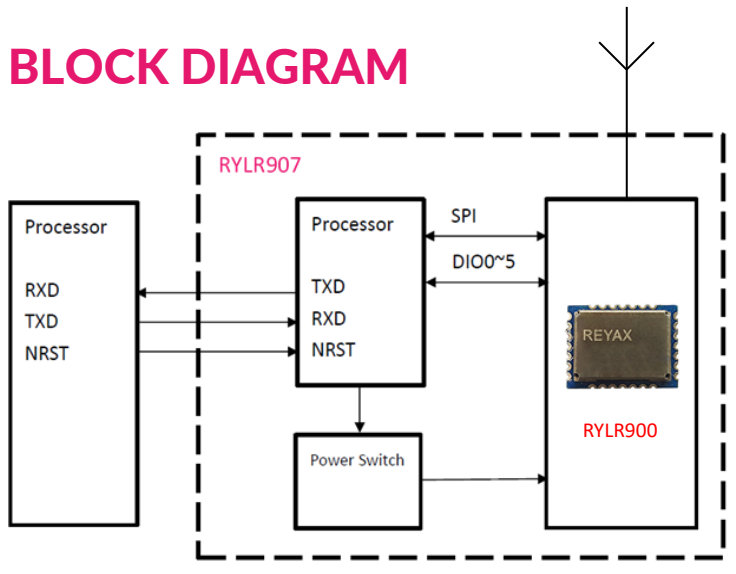


U.FL-R-SMT-1 connector reserved position



Pin	Name	I/O	Condition
1	VDD	I	Power Supply
2	NRST	I	RESET(Active Low) 100KΩ Internal pull up, Pull down at least 100ms
3	RXD	I	UART Data Input
4	TXD	O	UART Data Output
5	GND	-	Ground

BLOCK DIAGRAM

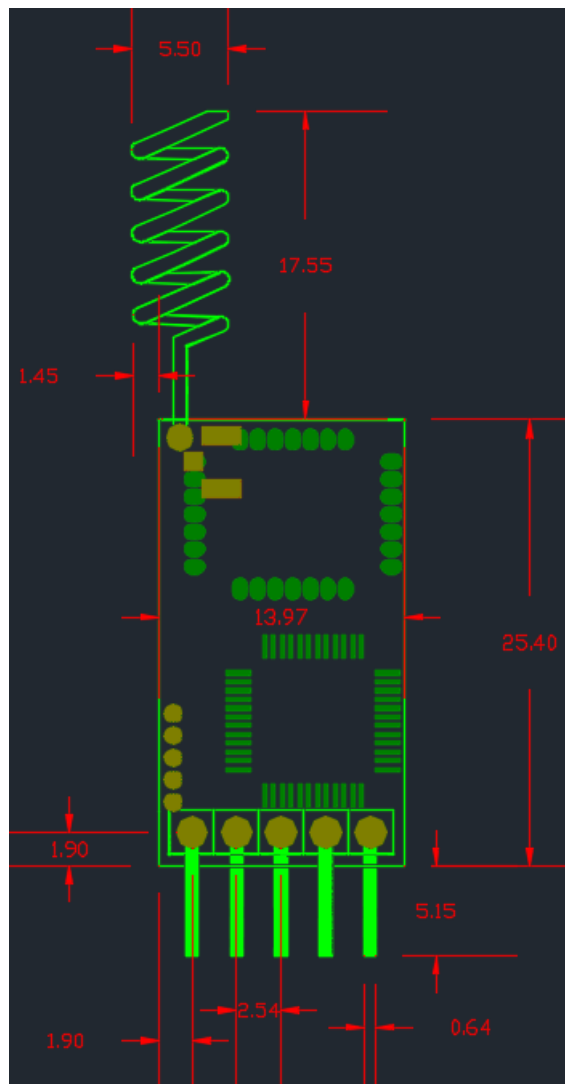


SPECIFICATION

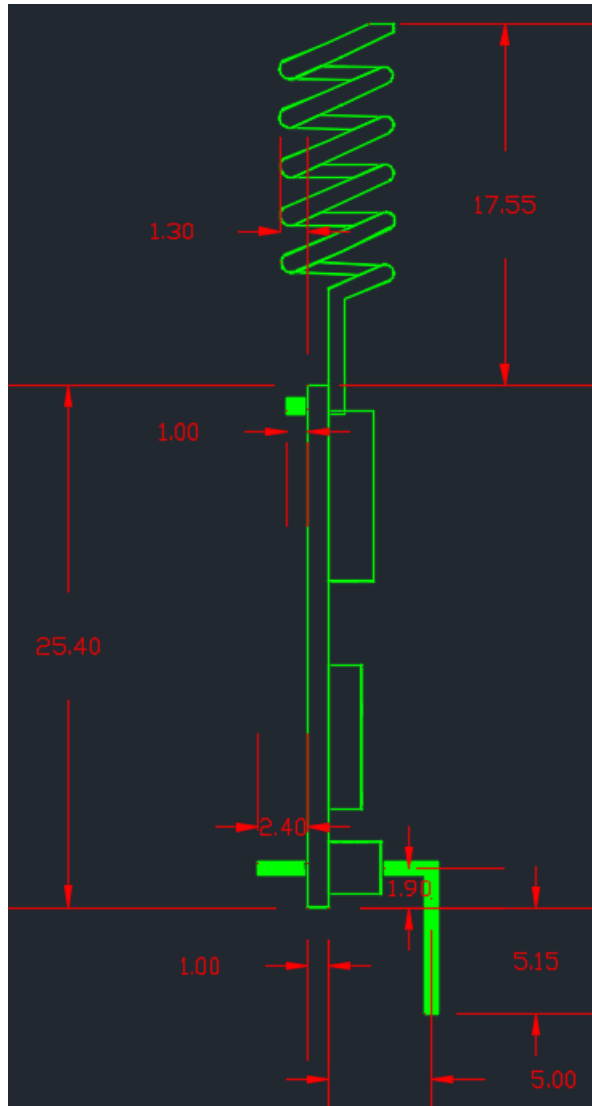
Item	Min.	Typical	Max.	Unit	Condition
VDD Power Supply	2	3.3	3.6	V	VDD
RF Output Power Range	-4		22	dBm	
Filter insertion loss	1	2	3	dB	
RF Sensitivity	-148			dBm	
RF Input Level			10	dBm	
Frequency Range	820	868/915	960	MHz	
Frequency Accuracy		±2		ppm	
Communication Range				KM	Depend on RF parameter
Transmit Mode Current		140		mA	RFOP = +22dBm
Receive Mode Current		10.4		mA	AT+MODE=0, AT+RXBOOST=1
		9.9		mA	AT+MODE=0, AT+RXBOOST=0
CAD Mode Receive Current		2.3		mA	AT+MODE=2 AT+PARAMETER=7,7,1,7 Depend on RF parameter
Sleep Current		0.5		uA	AT+MODE=1
Digital Input Level High	0.7*VDD		VDD	V	VIH
Digital Input Level Low	0		0.3*VDD	V	VIL
Digital Output Level High	0.9		VDD	V	VOH
Digital Output Level Low			0.1	V	VOL
Cycling (erase / write) EEPROM data memory		300		K	Cycles
Weight		7		g	

Operating Temperature	-40	25	+85	°C	
-----------------------	-----	----	-----	----	--

DIMENSIONS



Unit : mm



Unit : mm

REYAX
TECHNOLOGY CORPORATION, LTD

Taiwan: sales@reyax.com
China: sales@reyax.com.cn
<http://reyax.com>