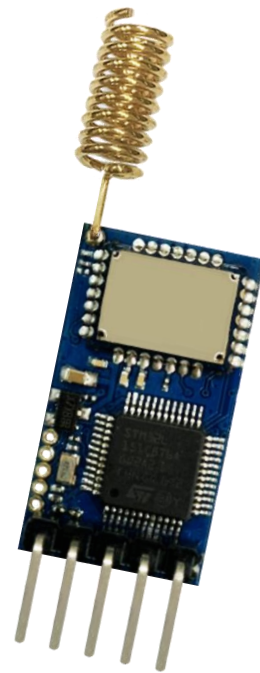


RYLR907

UART Interface
868/915 MHz LoRa®
Antenna Transceiver Module

Datasheet



PRODUCT DESCRIPTION

The RYLR907 transceiver module feature the LoRa® long range modem that provides ultra-long range spread spectrum communication and high interference immunity whilst minimising current consumption.

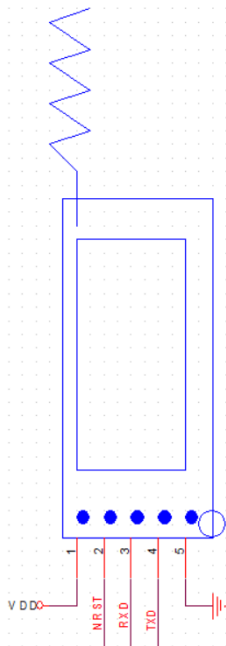
FEATURES

- Semtech SX1262 Engine
- Excellent blocking immunity
- Low receive current
- Detect channel motion to set power-saving CAD reception mode on.
- High sensitivity
- Control easily by AT commands
- Built-in antenna
- AES128 Data encryption

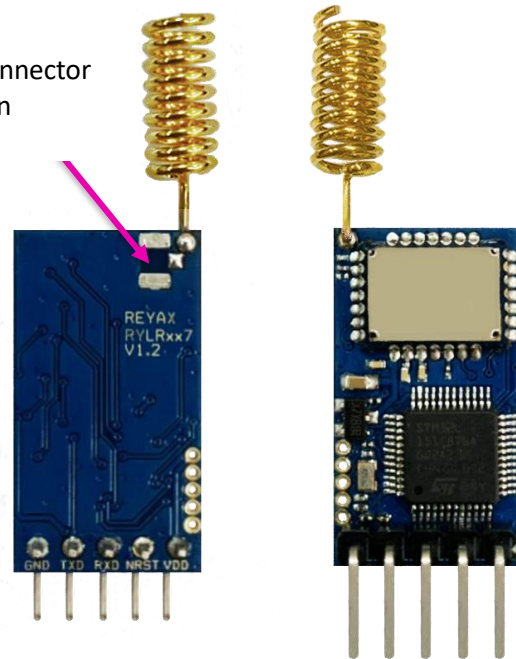
APPLICATIONS

- IoT Applications
- Mobile Equipment
- Home Security
- Industrial Monitoring and Control Equipment
- Car Alarm

PIN DESCRIPTION

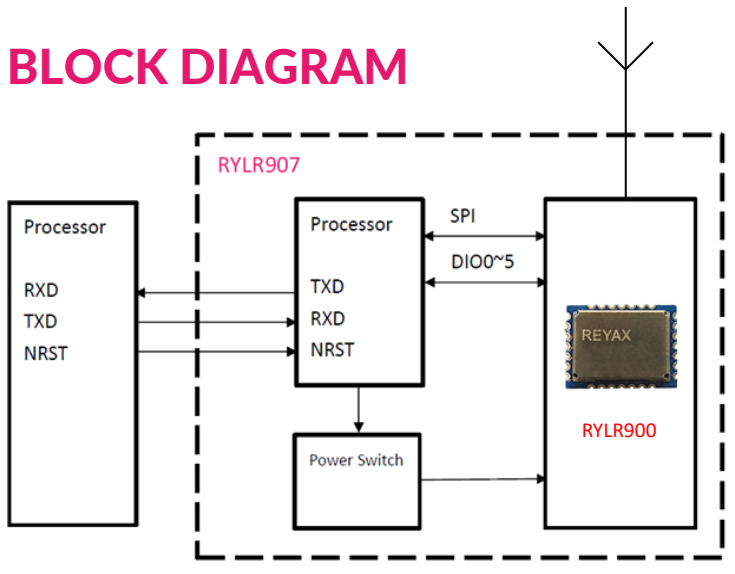


U.FL-R-SMT-1 connector reserved position



Pin	Name	I/O	Condition
1	VDD	I	Power Supply
2	NRST	I	RESET(Active Low) 100KΩ Internal pull up, Pull down at least 100ms
3	RXD	I	UART Data Input
4	TXD	O	UART Data Output
5	GND	-	Ground

BLOCK DIAGRAM

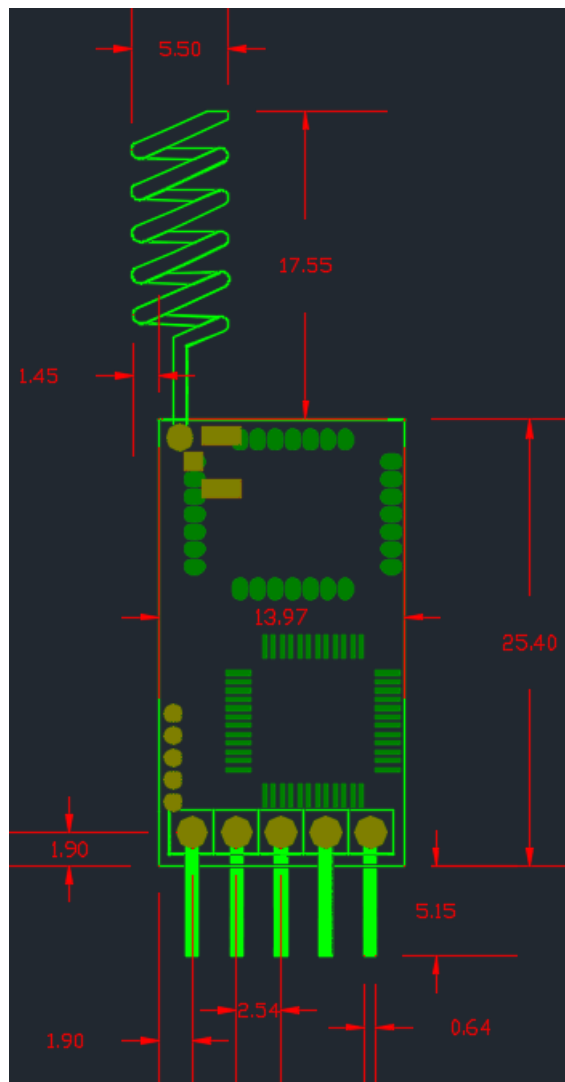


SPECIFICATION

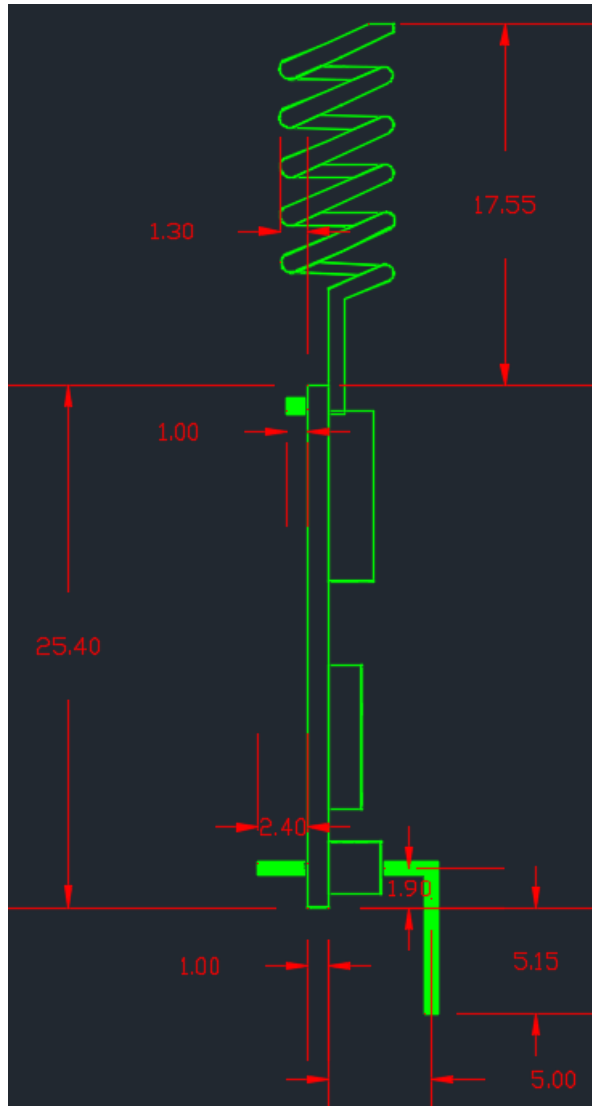
Item	Min.	Typical	Max.	Unit	Condition
VDD Power Supply	2	3.3	3.6	V	VDD
RF Output Power Range	-4		22	dBm	
Filter insertion loss	1	2	3	dB	
RF Sensitivity	-148			dBm	
RF Input Level			10	dBm	
Frequency Range	820	868/915	960	MHz	
Frequency Accuracy		±2		ppm	
Communication Range				KM	Depend on RF parameter
Transmit Mode Current		140		mA	RFOP = +22dBm
Receive Mode Current		10.4		mA	AT+MODE=0, AT+RXBOOST=1
		9.9		mA	AT+MODE=0, AT+RXBOOST=0
CAD Mode Receive Current		2.3		mA	AT+MODE=2 AT+PARAMETER=7,7,1,7 'Depend on RF parameter
Sleep Current		0.5		uA	AT+MODE=1
Digital Input Level High	0.7*VDD		VDD	V	VIH
Digital Input Level Low	0		0.3*VDD	V	VIL
Digital Output Level High	0.9		VDD	V	VOH
Digital Output Level Low			0.1	V	VOL
Cycling (erase / write) EEPROM data memory		300		K	Cycles
Weight		7		g	

Operating Temperature	-40	25	+85	°C	
-----------------------	-----	----	-----	----	--

DIMENSIONS



Unit : mm



Unit : mm

REYAX
TECHNOLOGY CORPORATION, LTD

Taiwan: sales@reyax.com
China: sales@reyax.com.cn
<http://reyax.com>