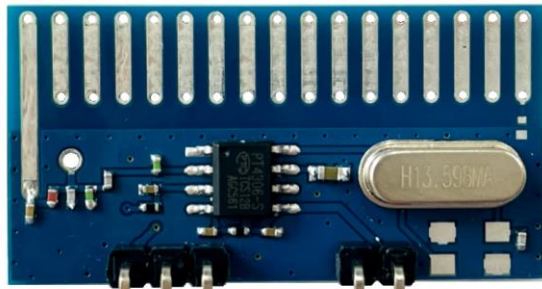


RYYFP433

433.92MHz RF Receiver Module with Internal Antenna

Datasheet



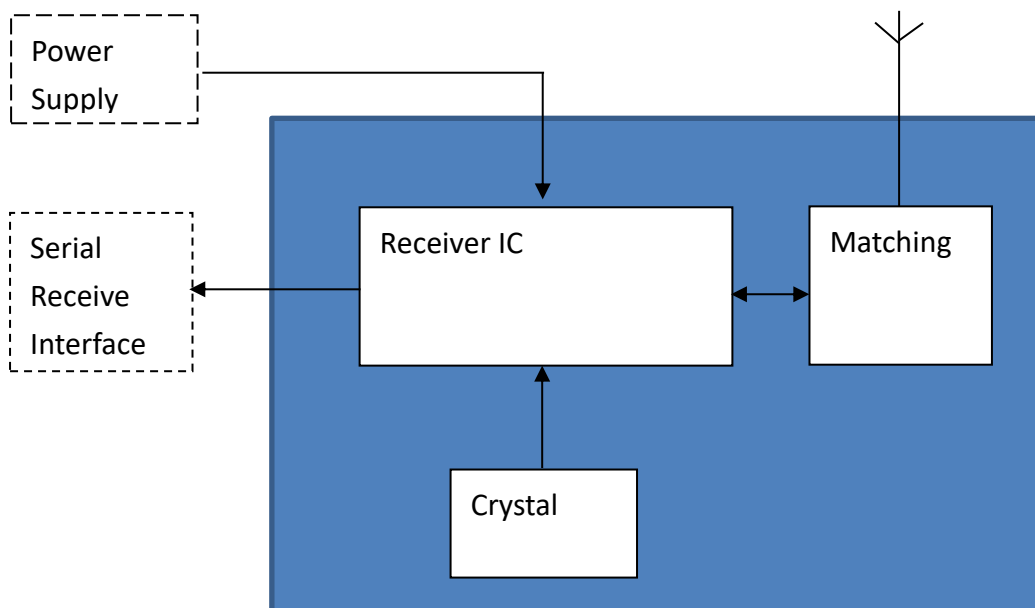
PRODUCT DESCRIPTION

The REYAX RYFP433 is a compact, fully integrated OOK/ASK receiver for 433.92 MHz frequency band.

FEATURES

- Normal operating at 433.92 MHz.
- Supply voltage range: 2.5 to 5.4 V
- Supports data rates up to 10 Kbps

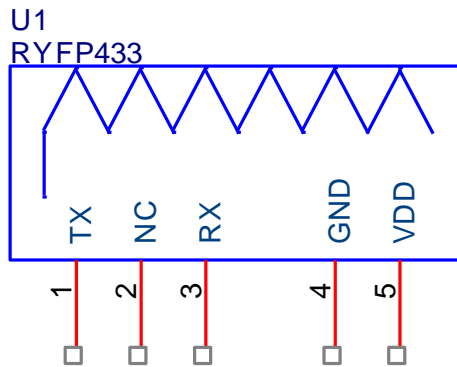
BLOCK DIAGRAM



SPECIFICATION

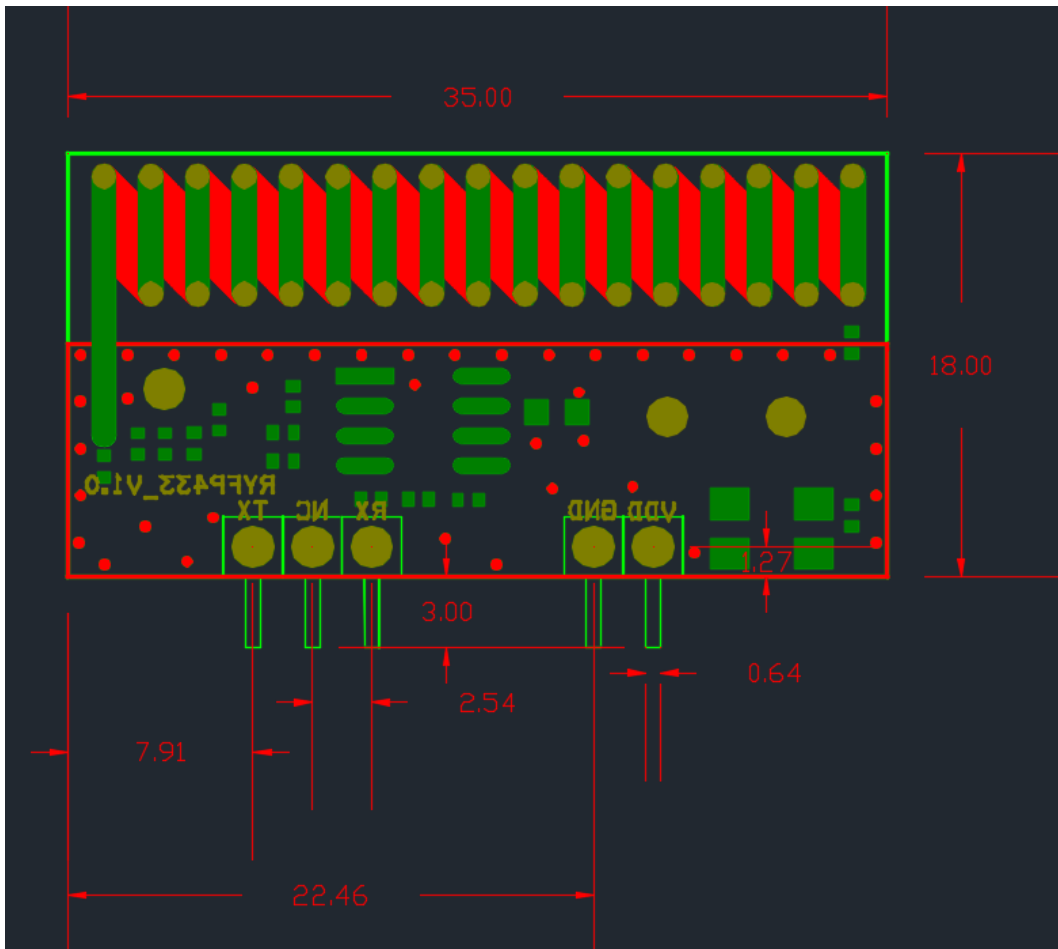
Item	Min.	Typical	Max.	Unit	Condition
Supply Voltage	2.6	5	5.3	V	VDD
RX Current		4.6		mA	
RF Sensitivity	-112	-108		dBm	
RF Frequency		433.92		MHz	ASK / OOK
RF Frequency Accuracy		50		ppm	
Data rate			10	Kbps	
High Level Output Voltage	VDD-0.5		VDD	V	VOH
Low Level Output Voltage	0		0.5	V	VOL
Operating Temperature	-20	25	+70	°C	
Weight		3		g	

PIN DESCRIPTION



Pin	Name	I/O	Condition
1	TX	O	Data Output
2	NC		
3	RX	I	Reserved, Leave Unconnected.
4	GND	-	Ground
5	VDD	I	Power Input

DIMENSIONS



Height : 5mm

PCB Thickness : 1.6mm

Tolerance \pm 0.2 mm

Pin length Tolerance \pm 0.5mm

Unit : mm

REYAX
TECHNOLOGY CORPORATION, LTD

E-mail : sales@reyax.com

Website : <http://reyax.com>