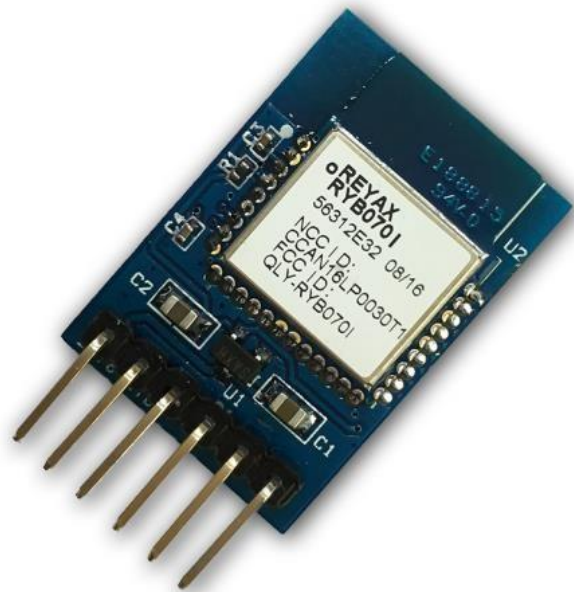


RXB0701_lite

2.4GHz BLE 4.0 Module breakout board

Datasheet



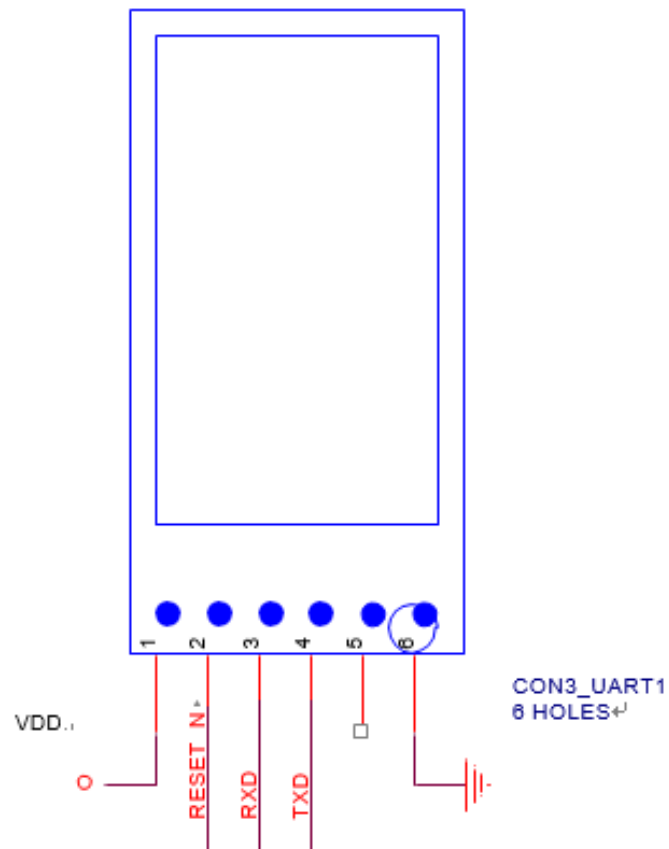
產品介紹

RXB070I_lite 為使用 REYAX RXB070I 並集成電源和引腳，它專為 BLE 應用而設計，開發人員可以使用簡單的 AT 命令 MCU，然後將產品連接到 BLE 設備和智能手機。

SPECIFICATION

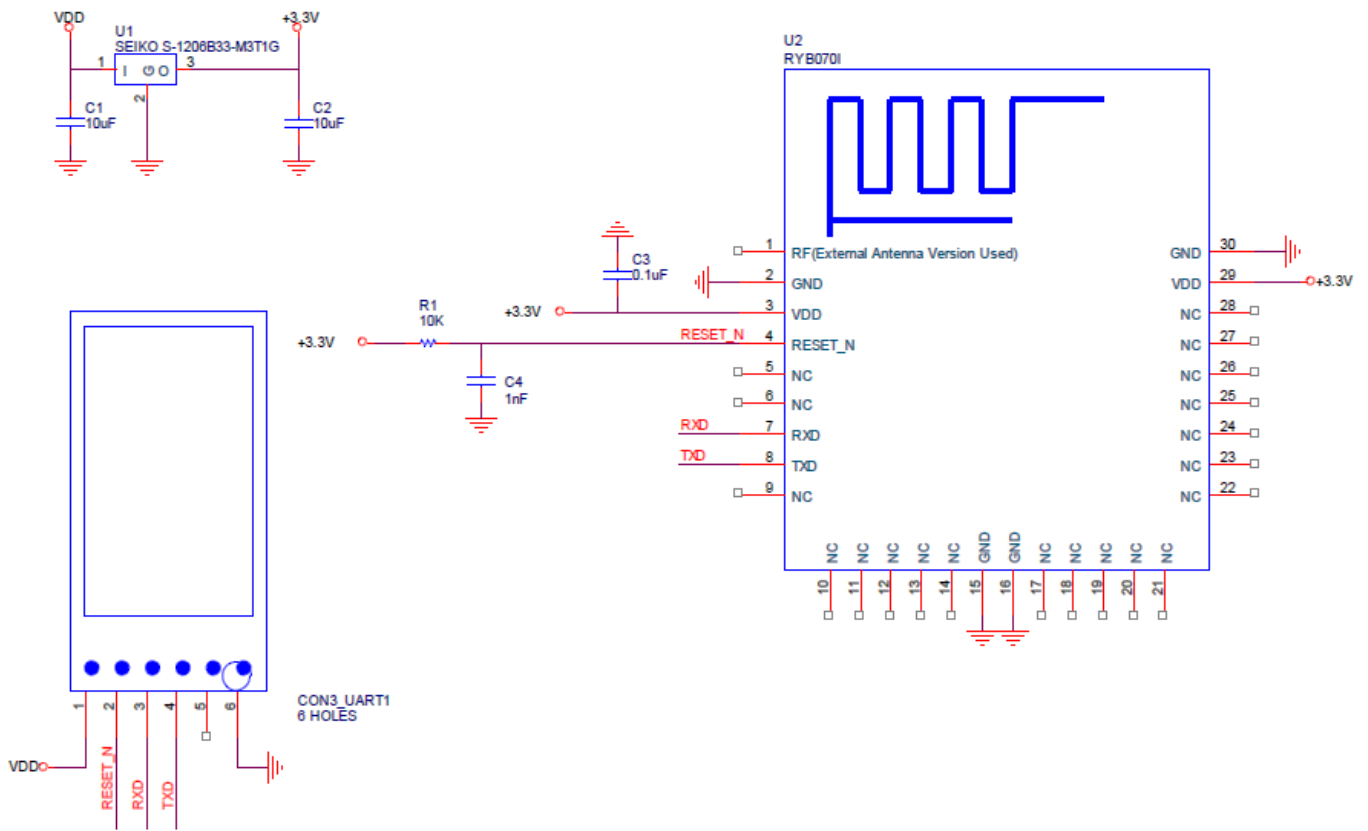
Item	Min.	Typical	Max.	Unit	Condition
Operation Voltage	3.45		6.5	V	VDD
Digital I/O Voltage		3.3		V	TXD, RXD
Baud Rate		9600	57600	bps	
Operating Temperature	-40	25	+85	°C	
Antenna					Embedded PCB Antenna
Dimensions					
Weight		5		g	

PIN DESCRIPTION

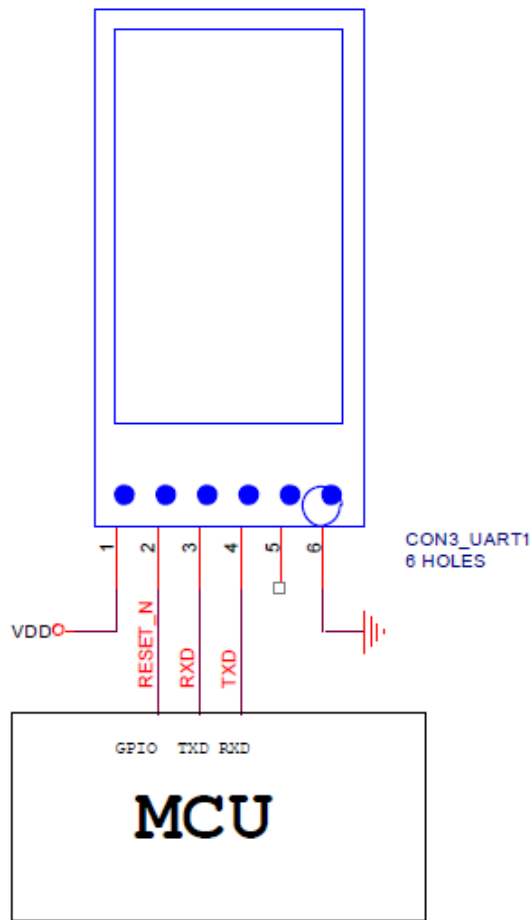


Pin	Name	I/O	Condition
1	VDD	I	Power Supply
2	RESET_N	I	Low Reset
3	RXD	I	UART Data Input
4	TXD	O	UART Data Output
5	NC	-	
6	GND	-	Ground

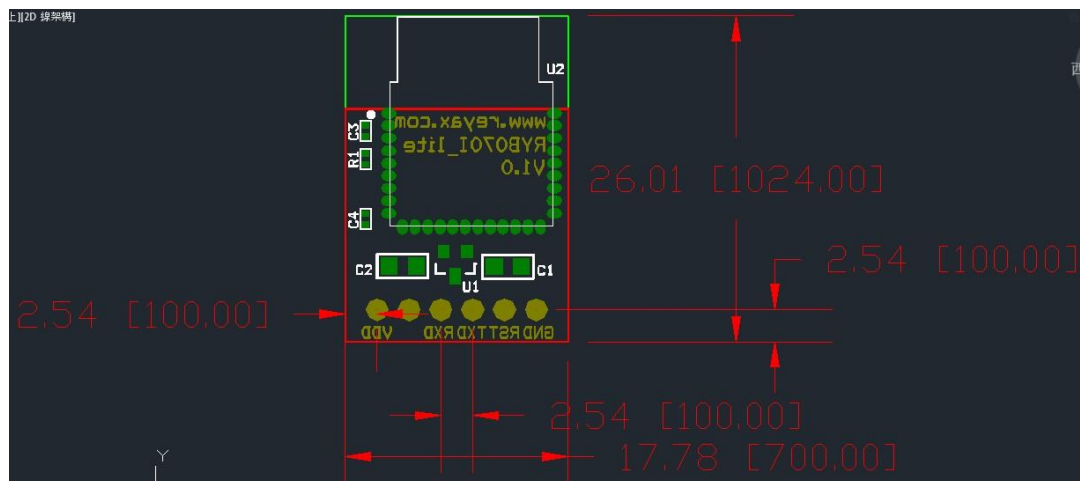
SCHEMATIC



APPLICATION SCHEMATIC



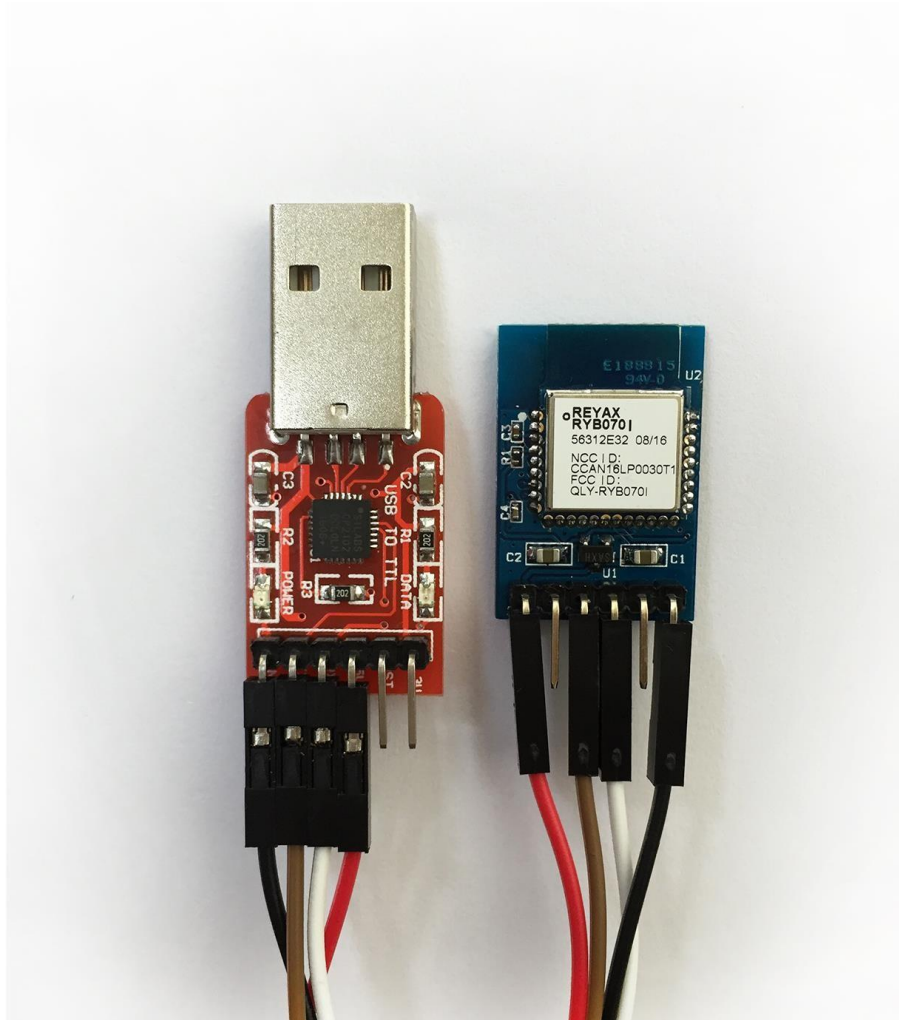
DIMENSIONS



Unit : mm[mil]

PCB Thickness : 1mm

USB TO UART TOOL



REYAX

TECHNOLOGY CORPORATION, LTD

Copyright © 2017, REYAX TECHNOLOGY CO., LTD.

Taiwan: sales@reyax.com

China: sales@reyax.com.cn

<http://reyax.com>