

RYAGN15

HIGH PERFORMANCE GNSS USB INTERFACE G-MOUSE

Datasheet



FEATURES

- 72-channel u-blox M8 engine.
- GPS L1C/A, SBAS L1C/A, QZSS L1C/A, QZSS L1 SAIF, GLONASS L1OF, BeiDou B1I, Galileo E1B/C
- Built-in low noise amplifier with 20dB gain and 0.65dB noise figure.
- Magnetic base suitable for mounting on car roof.
- Industrial temperature range: -40°C to $+85^{\circ}\text{C}$.
- Variable cable length is available.

BENEFITS

- Easy to use
- Compact size
- High performance
- Fast and easy integration
- No antenna know-how necessary

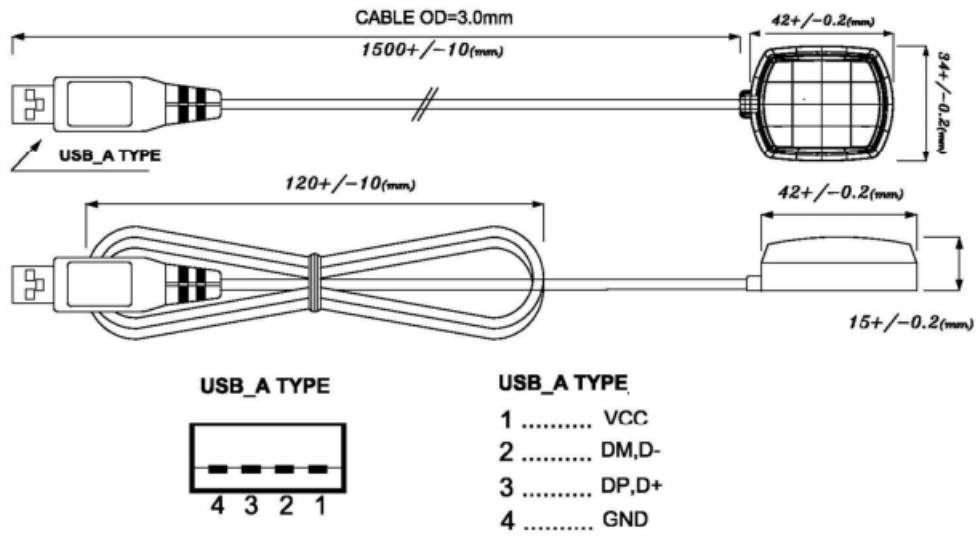
SPECIFICATION

Item	Min.	Typ	Max.	Unit	Condition
Operation Voltage	4.5	5	5.5	V	VCC
Current		70		mA	
Center Frequency	1575.42		1602	MHz	
Horizontal position accuracy		2.5		M	
GNSS update rate		1	10	Hz	
GNSS Sensitivity		-166		dBm	Tracking & Navigation
GNSS Cold start		29		Sec.	
Antenna Polarization					R.H.C.P
Antenna Gain		20		dB	
Noise Figure		0.65		dB	
VSWR			2		
Axial Ratio			3	dB	
Cable		1.5		M	RG174 Standard
Operating Temperature	-40	25	+85	°C	
Mounting					Reversed adhesive tape
Housing color					Black
Weight		70		g	

CONFIGURATION SOFTWARE TOOLS & DRIVER

Please download from the u-blox website. <https://www.u-blox.com>

DIMENSION



ORDER INFORMATION

Ordering No.	USB Cable Length
RYAGN15	1.5M
RYAGNxx	x.xM

REYAX
TECHNOLOGY CORPORATION, LTD

Taiwan: sales@reyax.com
China: sales@reyax.com.cn
<http://reyax.com>