

# RYS3520\_Lite

**+3.3V UART interface GNSS module Lite Evaluation Board**

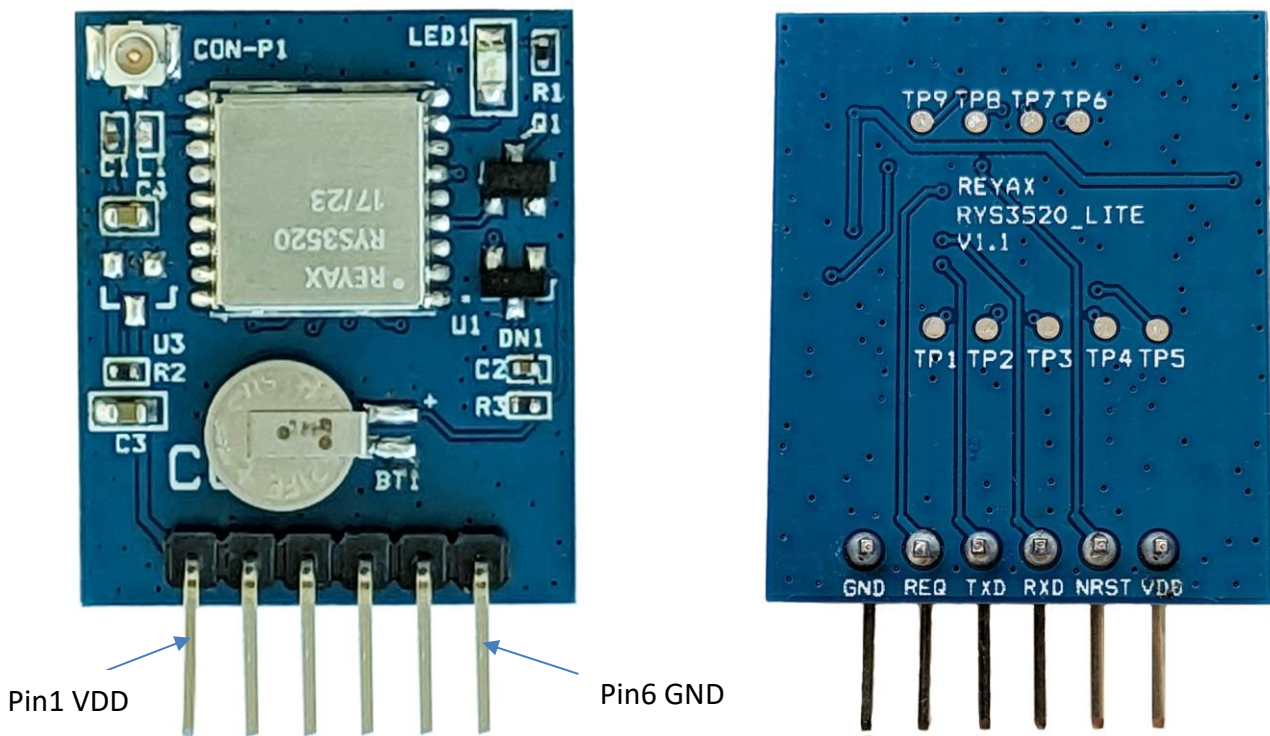
**Datasheet**



## PRODUCT DESCRIPTION

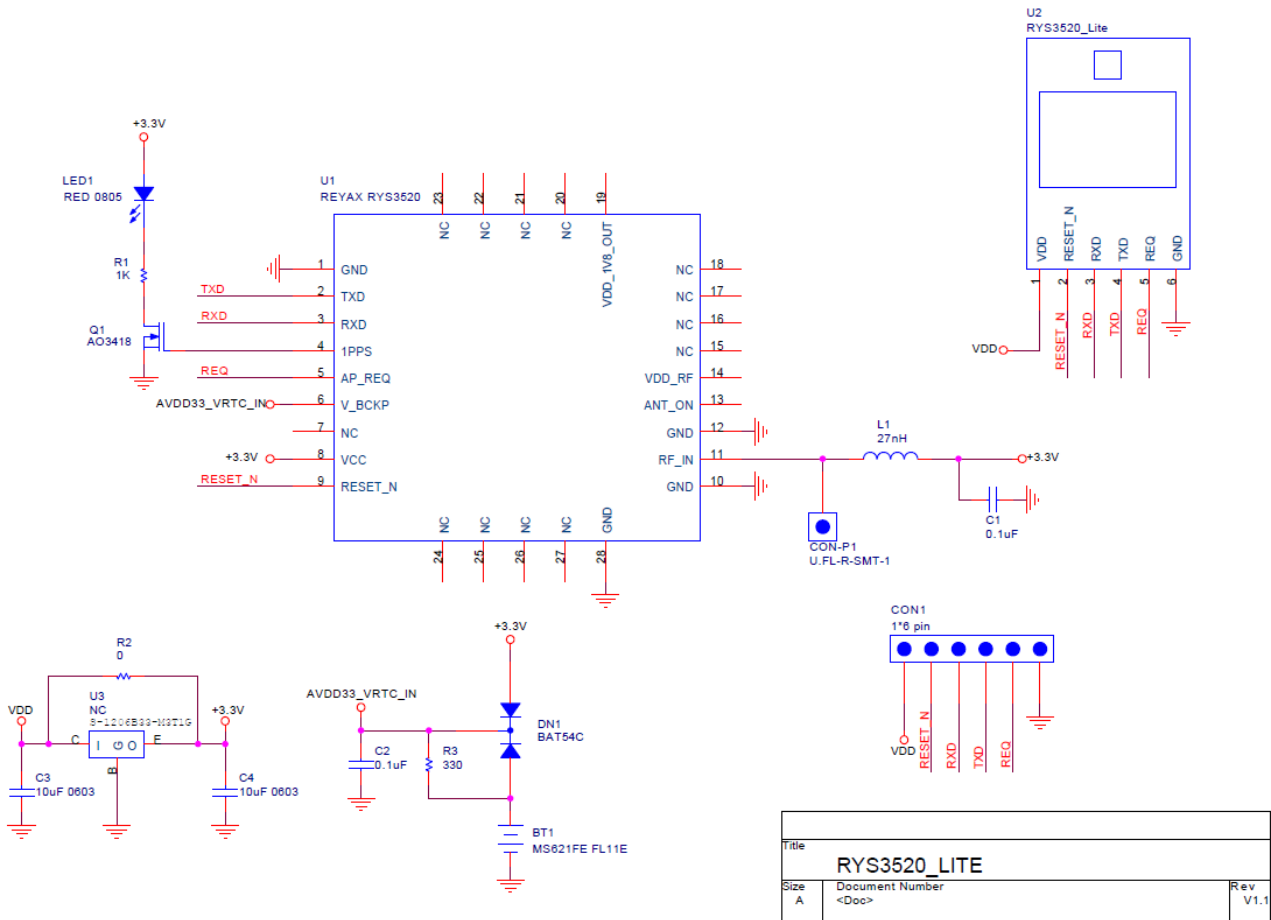
REYAX RYS3520\_Lite is a lite version of evaluation board, the purpose is to let you understand and test the REYAX RYS3520 module more quickly, For more detail, please refer to the RYS3520 product Information.

## PIN DESCRIPTION



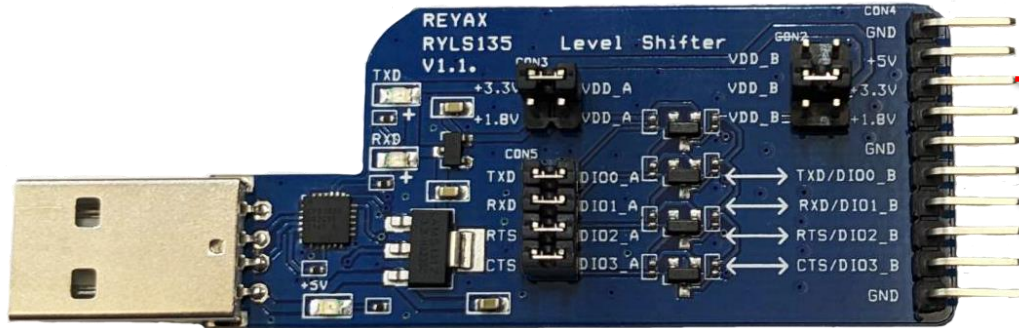
Pin	Name	I/O	Condition
1	VDD	P	Power Supply
2	NRST	I	Low reset trigger input
3	RXD	I	UART Data Input
4	TXD	O	UART Data Output
5	AP_REQ	I	Keep it low before sending any command to ensure the command can be sent successfully.
6	GND	P	Ground

# RYS3520\_Lite SCHEMATIC



## RYS3520\_Lite test connection diagram

REYAX RYLS135



REYAX RYAGN31 Antenna



SMAF2IPEX110 Cable

REYAX RYS3520\_Lite

