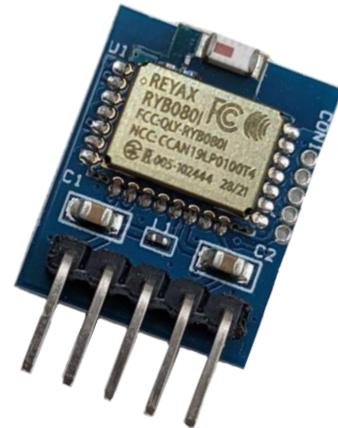


# RXB080I\_Lite

2.4GHz BLE 4.2 & 5.0 Module breakout board

Datasheet

5



## 產品介紹

RVB080I\_lite 為使用 REYAX RVB080I 並集成電源和引腳，它專為 BLE 應用而設計，開發人員可以使用簡單的 AT 命令 MCU，然後將產品連接到 BLE 設備和智能手機。

## 可符合法規

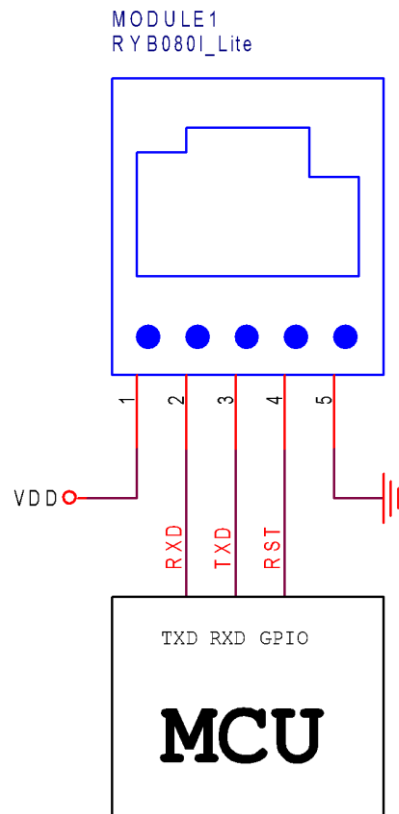
- FCC CFR47 Part 15 (US)
- NCC (Taiwan)
- MIC (Japan)

## SPECIFICATION

Item	Min.	Typical	Max.	Unit	Condition
Operation Voltage	1.8		3.8	V	VDD
Digital I/O Voltage		3.3		V	RST, TXD, RXD
Baud Rate		9600	115200	bps	
Operating Temperature	-40	25	+85	°C	
Antenna					Embedded PCB Antenna
Dimensions					
Weight		1.44		g	

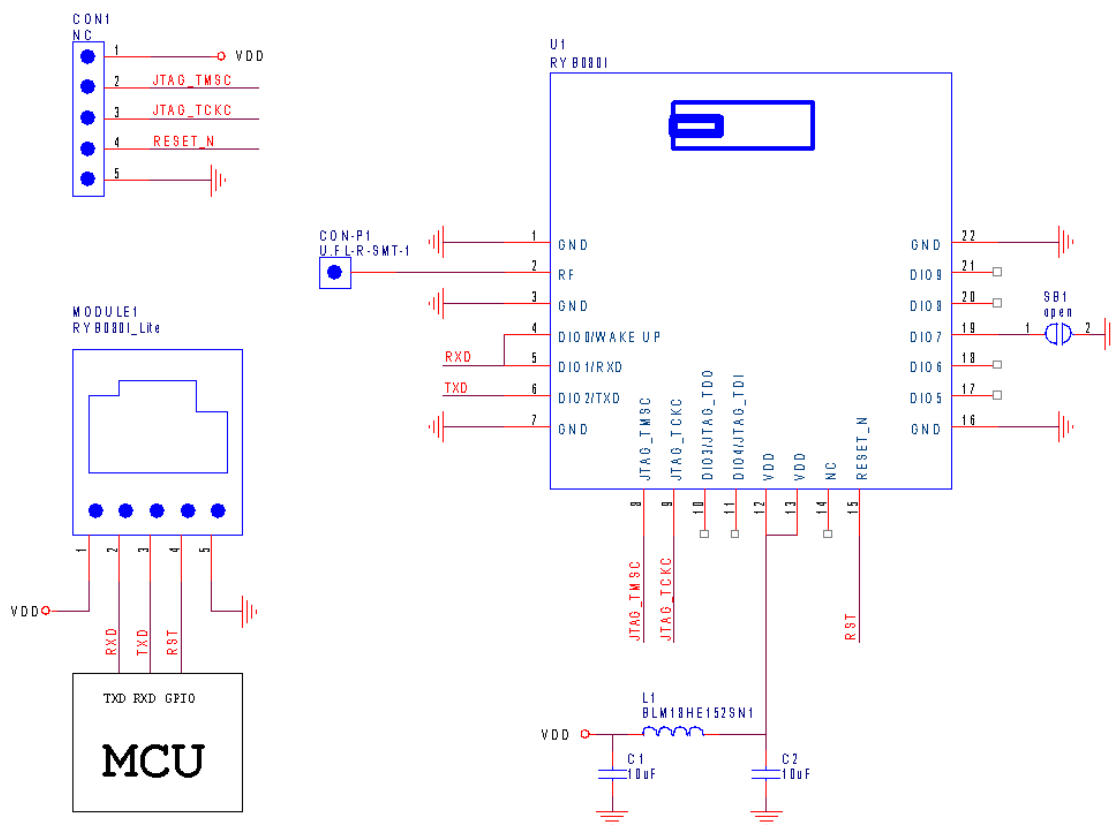
\*詳細規格請參考 RVB080I。

## PIN DESCRIPTION



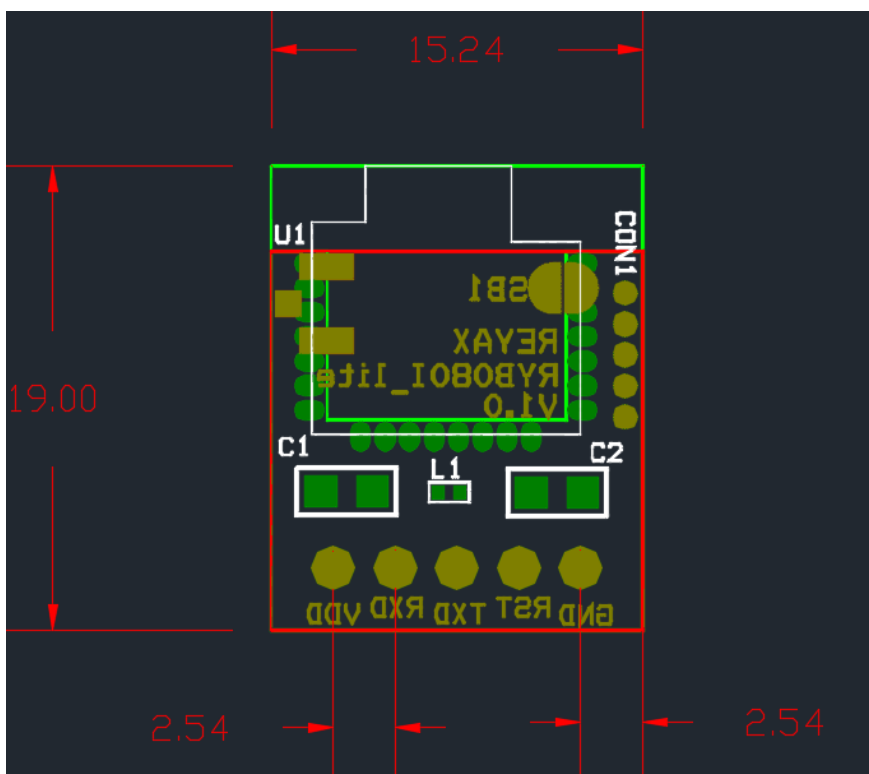
Pin	Name	I/O	Condition
1	VDD	I	Power Supply (+1.8V~+3.8V)
2	RXD	I	UART Data Input
3	TXD	O	UART Data Output
4	RST	I	Low Reset
5	GND	-	Ground

# RYB080I\_Lite SCHEMATIC



Title		
<b>REYAX RYB080I_lite</b>		
Size	Document Number	Rev
Custom<Doc>		1.0
Date:	Sunday, May 13, 2018	Sheet 1 of 1

## DIMENSIONS



Unit : mm

PCB Thickness : 1mm

**REYAX**  
TECHNOLOGY CORPORATION, LTD

**E-mail:** [sales@reyax.com](mailto:sales@reyax.com)  
**Website:** <http://reyax.com>