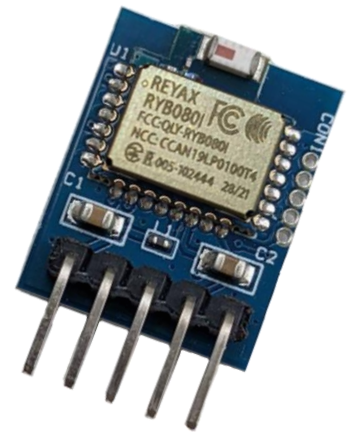


# RXB080I\_Lite

2.4GHz BLE 4.2 & 5.0 Module breakout board

Datasheet

5



## PRODUCT DESCRIPTION

The RVB0801\_lite is based on REYAX RVB0801, RVB0801\_lite integrated power and pins, it is designed for BLE applications, Developers can use a simple AT command MCU then connectivity products to the BLE device and smartphone.

## APPROVED CERTIFICATIONS

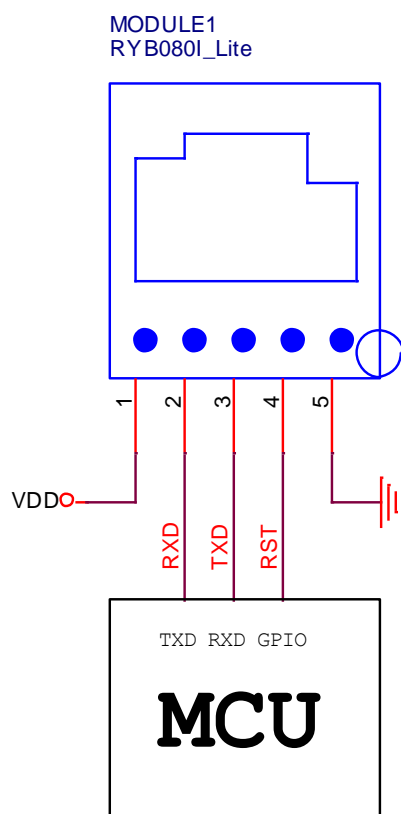
- FCC CFR47 Part 15 (US)
- NCC (Taiwan)
- MIC (Japan)

## SPECIFICATION

| Item                  | Min. | Typical | Max.   | Unit | Condition            |
|-----------------------|------|---------|--------|------|----------------------|
| Operation Voltage     | 1.8  |         | 3.8    | V    | VDD                  |
| Digital I/O Voltage   |      | 3.3     |        | V    | RST, TXD, RXD        |
| Baud Rate             |      | 9600    | 115200 | bps  |                      |
| Operating Temperature | -40  | 25      | +85    | °C   |                      |
| Antenna               |      |         |        |      | Embedded PCB Antenna |
| Dimensions            |      |         |        |      |                      |
| Weight                |      | 1.44    |        | g    |                      |

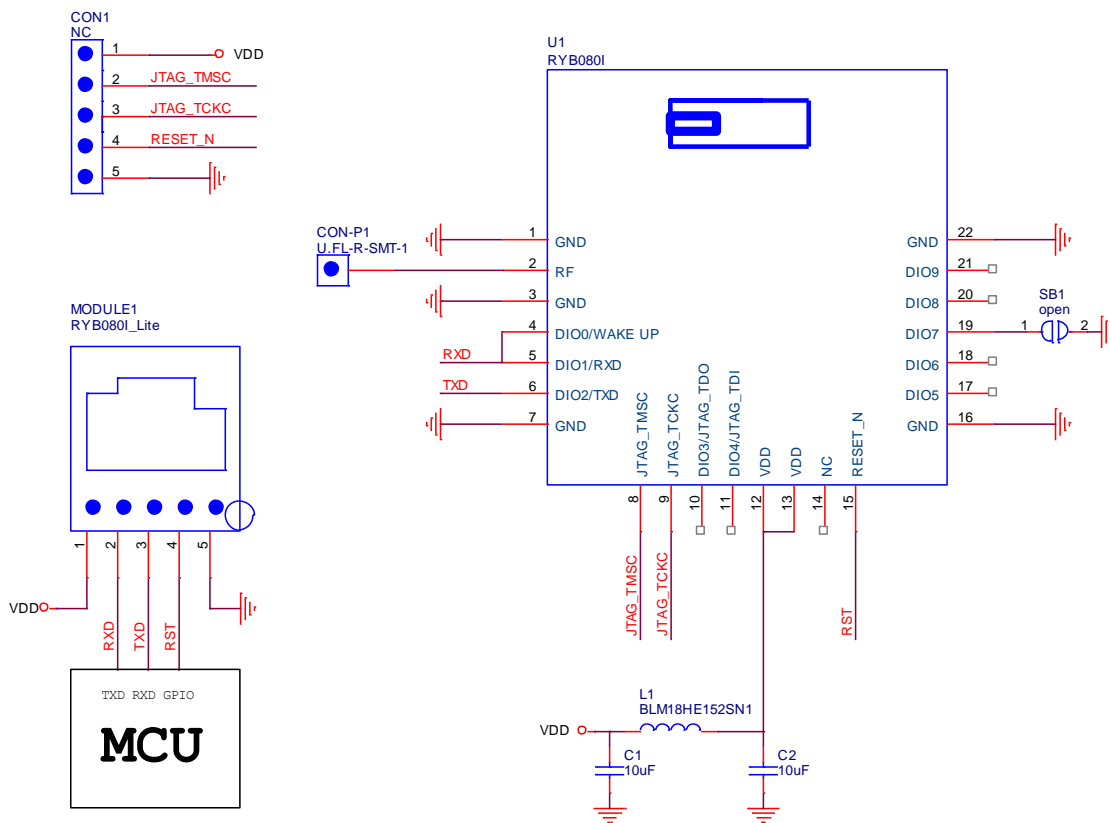
\*Detailed specifications please refer to RVB0801

## PIN DESCRIPTION



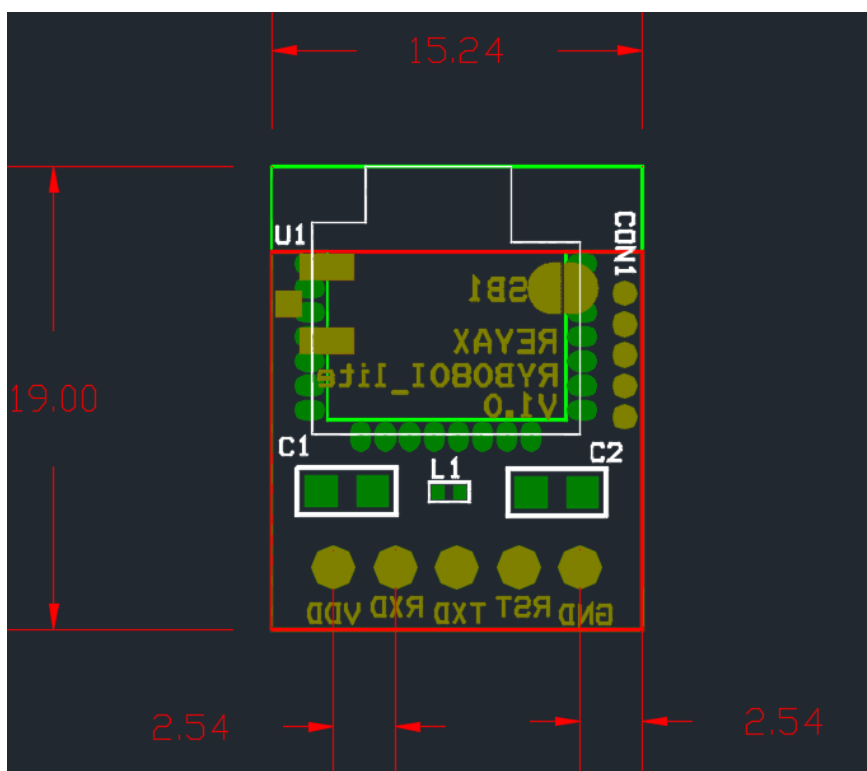
| Pin | Name | I/O | Condition                  |
|-----|------|-----|----------------------------|
| 1   | VDD  | I   | Power Supply (+1.8V~+3.8V) |
| 2   | RXD  | I   | UART Data Input            |
| 3   | TXD  | O   | UART Data Output           |
| 4   | RST  | I   | Low Reset                  |
| 5   | GND  | -   | Ground                     |

## RYB080I\_Lite SCHEMATIC



|                           |                      |              |
|---------------------------|----------------------|--------------|
| Title                     |                      |              |
| <b>REYAX RYB080I_lite</b> |                      |              |
| Size                      | Document Number      | Rev          |
| Custom:Doc>               |                      | 1.0          |
| Date:                     | Sunday, May 13, 2018 | Sheet 1 of 1 |

## DIMENSIONS



Unit : mm

PCB Thickness : 1mm

**REYAX**  
TECHNOLOGY CORPORATION, LTD

**E-mail:** [sales@reyax.com](mailto:sales@reyax.com)  
**Website:** <http://reyax.com>